

1-800-BOLLARDS

The Bollard Experts

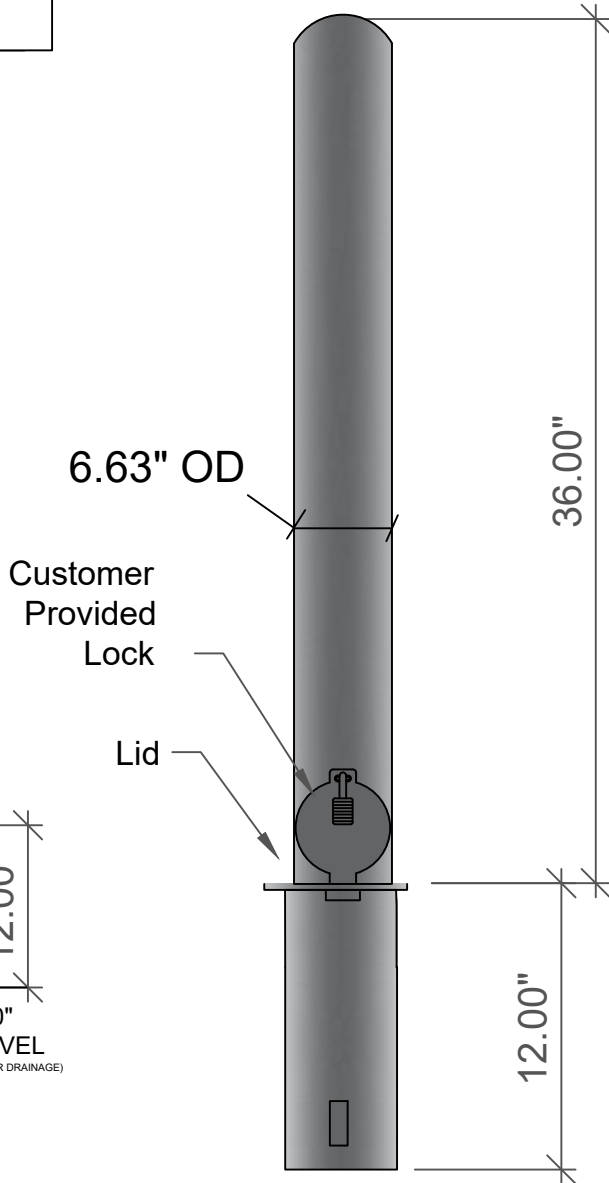
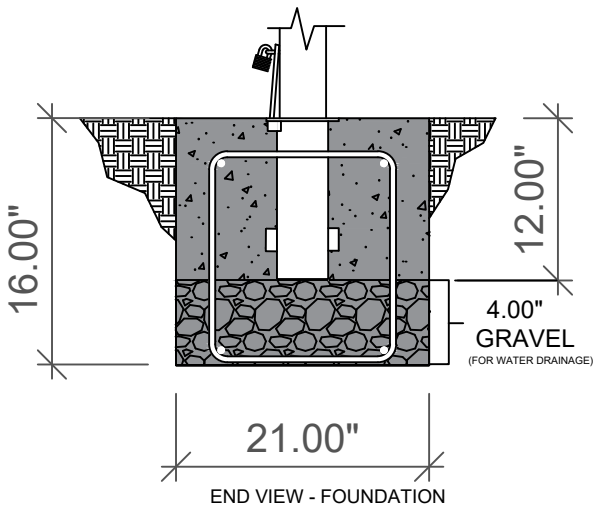
- SELECT DESIRED MATERIAL:
(6" NOMINAL SIZE)
 - RPSS06000 SCH 10 STAINLESS STEEL
 - RPSS06040 SCH 40 STAINLESS STEEL
 - RPSS06080 SCH 80 STAINLESS STEEL
 - RPCS06040 SCH 40 ASTM A-53 CARBON STEEL
 - RPCS06080 SCH 80 ASTM A-53 CARBON STEEL

- SELECT DESIRED STAINLESS STEEL BOLLARD FINISH:
 - POLISHED #4 FINISH
 - AS SPECIFIED _____

- SELECT DESIRED CARBON STEEL BOLLARD FINISH:
 - POWDER COAT RAL # _____
 - AS SPECIFIED _____

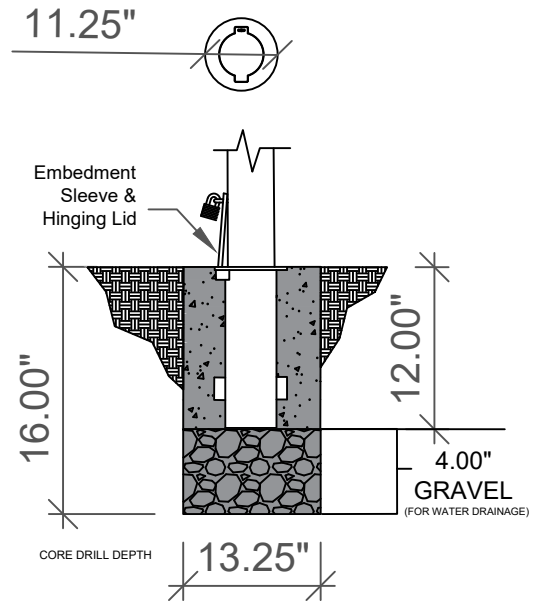
- SELECT DESIRED STAINLESS STEEL BOLLARD MATERIAL:
 - TYPE 304
 - TYPE 316

- SELECT DESIRED BOLLARD CAP STYLE:
 - DOME (SHOWN)
 - STANDARD FLAT
 - REVEAL
 - SLOPED

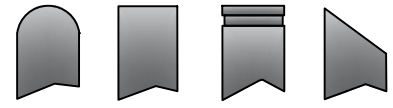


REVISIONS			
LTR	DESCRIPTION	DATE	APPVD

SPECIFICATIONS	
HEIGHT:	36"
DIAMETER:	6.63"
WALL THICKNESS:	0.280" SCHED 40



DOME (SHOWN) STANDARD FLAT REVEAL SLOPED



SERIES NUMBER:	XX-S060-XX	CAGE CODE:	6NGJ8	REV:		DRAWING NUMBER:	6in Cutsheet Size A - R1
PRODUCT FAMILY:	FIXED BOLLARD	DRAWN BY:	AJA	CHECKED BY:		DRAWING REV:	
PRODUCT CLASS:	STANDARD OR CUSTOMER DEFINED	PRODUCT LINE:	BOLLARD	APPROVED BY:		SHEET: 1 OF 1	
PRODUCT SUB LINE:	PADLOCK REMOVABLE			RELEASE DATE:			
1-800-BOLLARDS, Inc. 10 Hughes Suite A105 Irvine, CA 92618 PHONE: 1-800-BOLLARDS WEB: WWW.1800BOLLARDS.COM EMAIL: INFO@1800BOLLARDS.COM				TITLE: BOLLARD, PADLOCK REMOVABLE			

APPLICATION	
NEXT ASSY	USED ON

NOTES:
 1. INSTALLATION TO BE COMPLETED IN ACCORDANCE WITH MANUFACTURER'S SPECIFICATIONS.
 2. DO NOT SCALE DRAWING.
 3. THIS DRAWING IS INTENDED FOR USE BY ARCHITECTS, ENGINEERS, CONTRACTORS, CONSULTANTS AND DESIGN PROFESSIONALS FOR PLANNING PURPOSES ONLY. THIS DRAWING MAY NOT BE USED FOR CONSTRUCTION.
 4. ALL INFORMATION CONTAINED HEREIN WAS CURRENT AT THE TIME OF DEVELOPMENT BUT MUST BE REVIEWED AND APPROVED BY THE PRODUCT MANUFACTURER TO BE CONSIDERED ACCURATE.
 5. CONTRACTOR'S NOTE: FOR PRODUCT AND COMPANY INFORMATION VISIT WWW.CADSTANDS.COM/INQ AND ENTER REFERENCE NUMBER 594927.